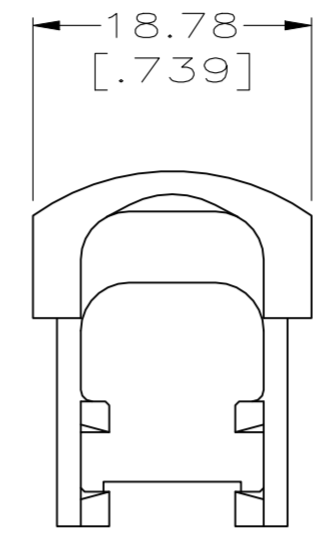
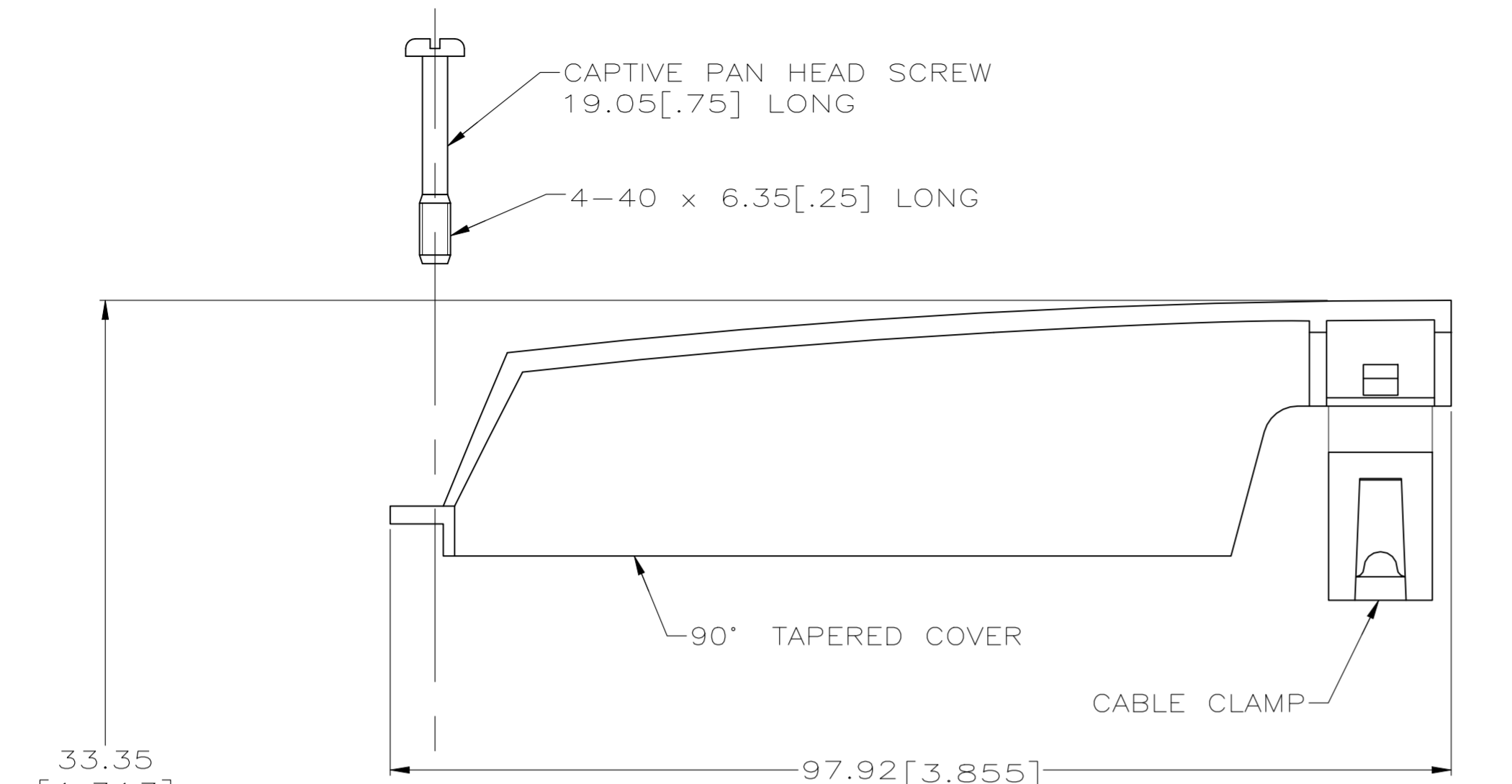
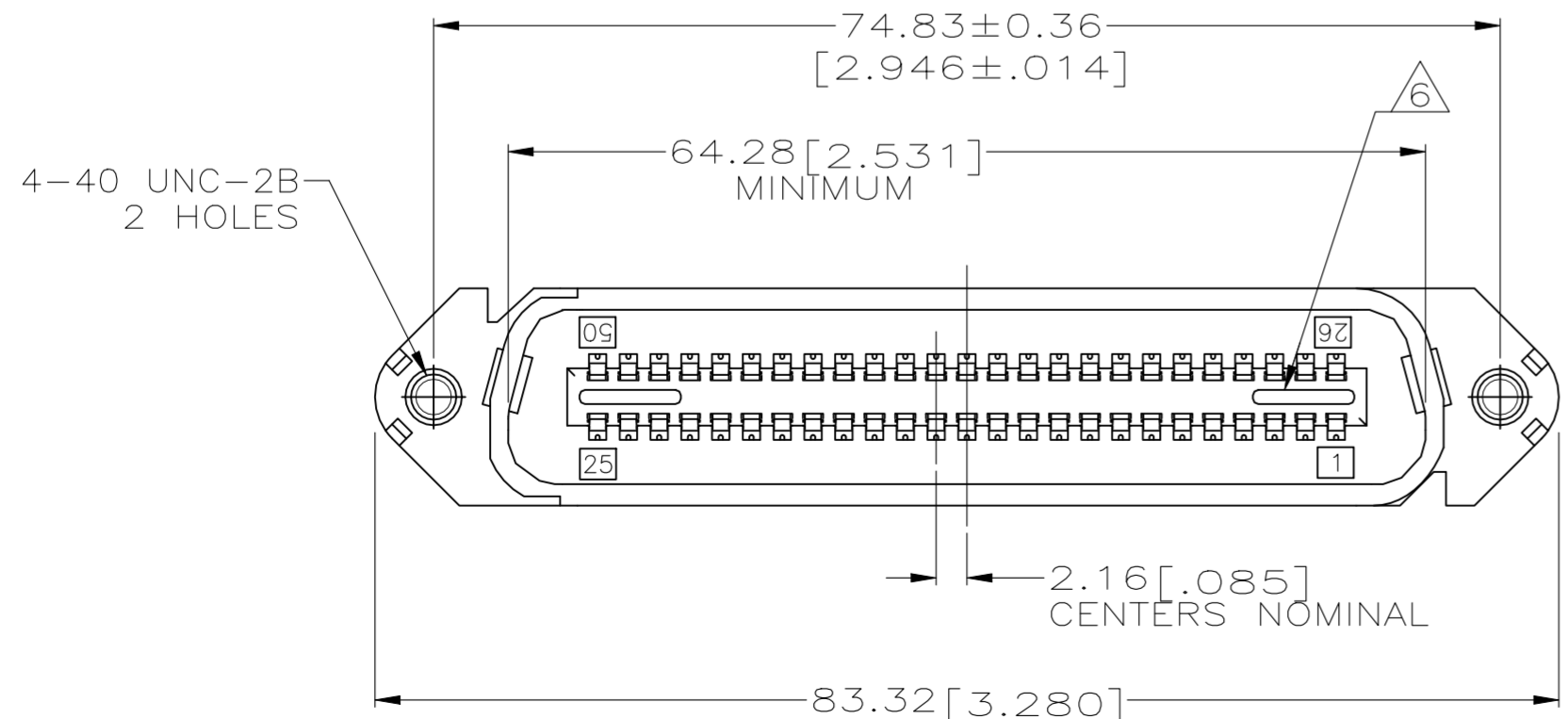
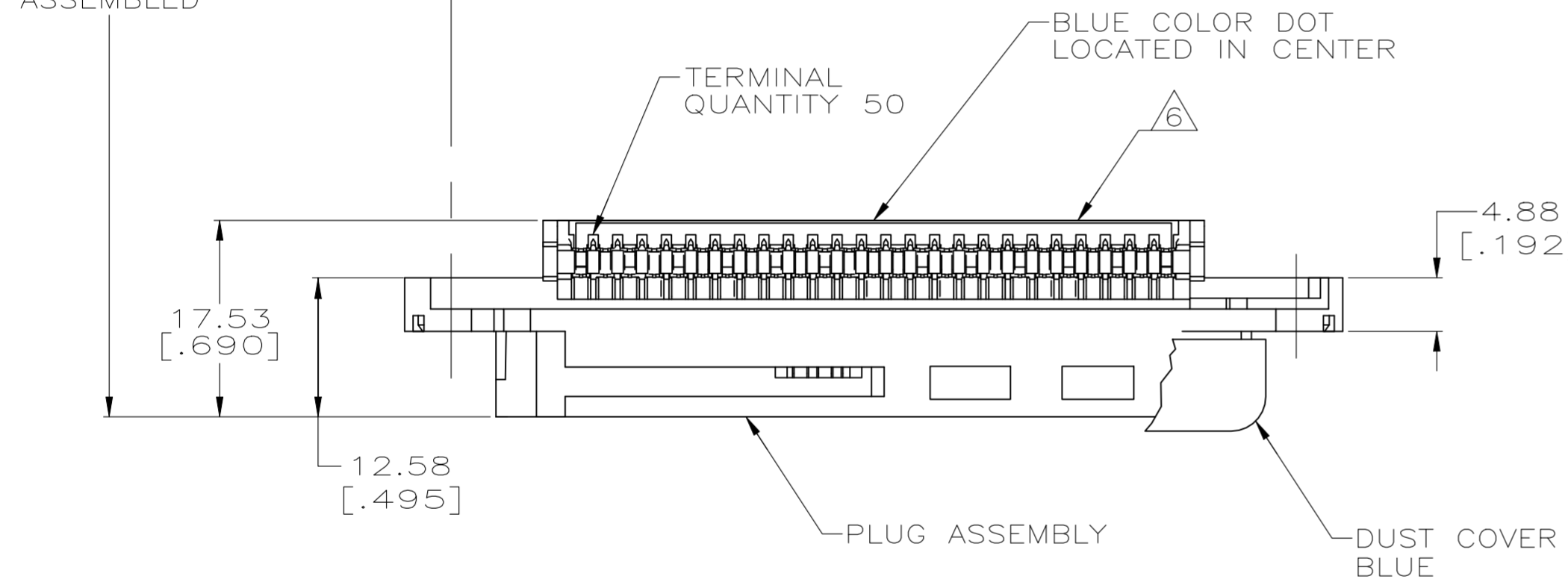


REVISIONS					
P	LTR	DESCRIPTION	DATE	DWN	APVD
B3		REVISED PER ECN-23-240868	24NOV2023	AP	IT



- THE CONTACT SURFACES OF THE TERMINALS ARE COATED WITH LUBRICANT.
- DIMENSIONS ARE MAXIMUM UNLESS OTHERWISE SPECIFIED.
- MATERIAL: HOUSING AND COVER – POLYPHENYLENE OXIDE.
CABLE CLAMP – POLYESTER MOLDING COMPOUND.
TERMINAL – HIGH STRENGTH COPPER ALLOY PLATED WITH 0.76µm [.000030] MIN GOLD OR GOLD FLASH OVER PALLADIUM NICKEL PLATE, 0.76µm [.000030] MIN TOTAL ON MATING SURFACE, OVER 1.27µm [.000050] MIN NICKEL UNDERPLATE.
HARDWARE – ZINC PLATED STEEL.
DUST COVER – POLYETHYLENE MOLDING COMPOUND.
- THIS KIT SHIPPED NOT ASSEMBLED.
- WIRE SIZE: 24 & 26 AWG SOLID & 24/7 STRAND COPPER CONDUCTORS. MAXIMUM INSULATION DIAMETER OF 1.14[.045] IS ACCEPTABLE FOR MOST APPLICATIONS.
- CORING MAY OR MAY NOT APPEAR AND IS AT THE DISCRETION OF AMP INCORPORATED.
- OBSOLETE PARTS: OBSOLETE CIS STREAMLINING PER D.RENAUD/D.SINISI



PACKAGING	CABLE RANGE	DUST COVER	COLOR	PART NUMBER
BULK PACKED	ø7.62–8.26 [ø.300–.325]	YES	BLACK	△6-5229912-7
	ø8.89–10.80 [ø.350–.425]	YES	GRAY	6-5229912-4
NO		BLACK	6-5229912-3	
POLY BAGGED	ø10.80–12.70 [ø.425–.500]	YES	BLACK	3-5229912-1
		NO	BLACK	2-5229912-1
OBSOLETE	ø8.89–10.80 [ø.350–.425]	YES	BLACK	1-5229912-1
		NO	GRAY	5229912-4
		NO	BLACK	5229912-1

THIS DRAWING IS A CONTROLLED DOCUMENT.

DIMENSIONS: mm [INCHES]	TOLERANCES UNLESS OTHERWISE SPECIFIED:	DWN G.PETERS 23SEP2005	
0 PLC ± -	1 PLC ± -	CHK W.MILLHIMES 23SEP05	
2 PLC ± -	3 PLC ± -	APVD M.WALMSLEY 23SEP05	
4 PLC ± -	ANGLES ± -	PRODUCT SPEC	
MATERIAL	FINISH	APPLICATION SPEC	NAME
		WEIGHT 0.000000	SIZE A2
		CUSTOMER DRAWING	CAGE CODE 00779
			DRAWING NO C=5229912
			RESTRICTED TO
			SCALE 2:1
			SHEET 1 of 1
			REV B3