

12U 36in Depth Enclosed Server Cabinet with Casters

RK1236BKF



*actual product may vary from photos

DE: Bedienungsanleitung - de.startech.com

FR: Guide de l'utilisateur - fr.startech.com

ES: Guía del usuario - es.startech.com

IT: Guida per l'uso - it.startech.com

NL: Gebruiksaanwijzing - nl.startech.com

PT: Guia do usuário - pt.startech.com

For the most up-to-date information, please visit: www.startech.com

Use of Trademarks, Registered Trademarks, and other Protected Names and Symbols

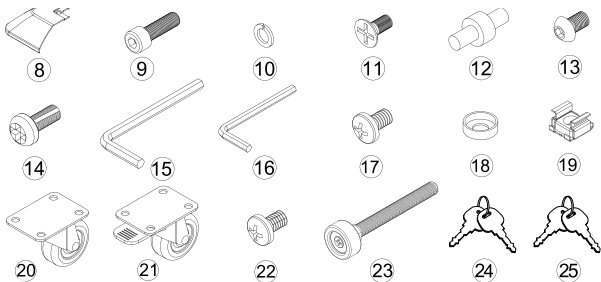
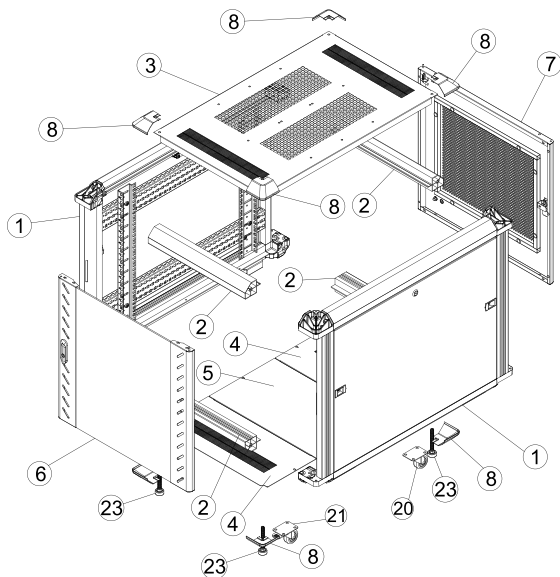
This manual may make reference to trademarks, registered trademarks, and other protected names and/or symbols of third-party companies not related in any way to StarTech.com. Where they occur these references are for illustrative purposes only and do not represent an endorsement of a product or service by StarTech.com, or an endorsement of the product(s) to which this manual applies by the third-party company in question. Regardless of any direct acknowledgement elsewhere in the body of this document, StarTech.com hereby acknowledges that all trademarks, registered trademarks, service marks, and other protected names and/or symbols contained in this manual and related documents are the property of their respective holders.

Table of Contents

Packaging Contents.....	1
Installation	3
Specifications.....	6
Technical Support	7
Warranty Information.....	7

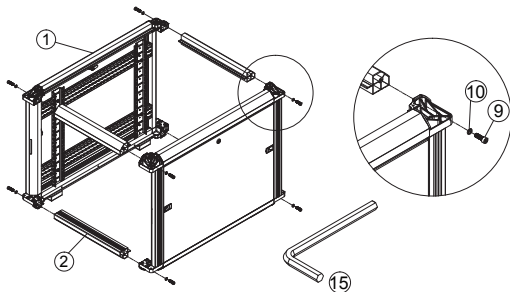
Packaging Contents

ID	Name	Qty			
Rack Components			Casters and Hardware		
1	Side Panel and Frame	2	20	Casters	2
2	Upper and Lower Beams	4	21	Brake Casters	2
3	Top Panel	1	22	M6-10mm Self Tapping Screws	16
4	Bottom Panel with Grommet	2	23	Leveling Feet	4
5	Solid Bottom Panel	1	24	Front / Back Door Keys	2
6	Front Door Assembly	1	25	Side Panel Keys	2
7	Rear Door Assembly	1			
8	Plastic Corner Caps	8			
Rack Assembly Hardware					
9	M8-25mm Hex Screws	8			
10	M8 Lock Washers	8			
11	M4-10mm Phillips Screws	8			
12	Door Hinge Pins	2			
13	M6-12mm Hex Screws	4			
14	M5-10mm Self-Tapping Screws	6			
Frame Assembly Tools					
15	M8 (13 mm) Allen Key	1			
16	M6 (10 mm) Allen Key	1			
Equipment Mounting Hardware					
17	M6 Rack Screws	20			
18	PVC Cup Washers	20			
19	M6 Cage Nuts	20			

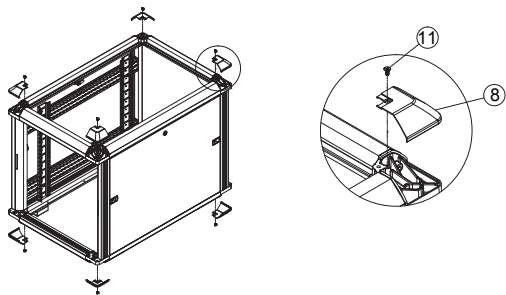


Installation

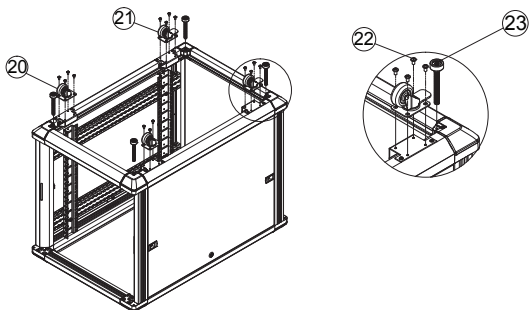
1. Attach the Side Panel and Frame (1) assemblies to the Upper and Lower Beams (2) using the M8-25mm Hex Screws (9), M8 Lock Washers (10) and the M8 (13 mm) Allen Key (15).



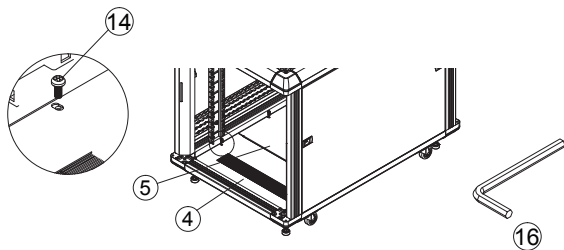
2. Install the Plastic Corner Caps (8) using the M4-10mm Phillips Screws (11).



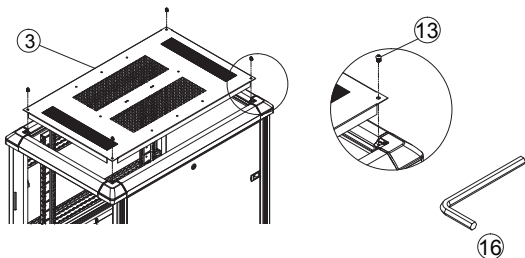
3. (Optional) Install the Casters (20) / Brake Casters (21) on the bottom of the rack using the M6-10mm Tapping Screws (22). Then thread the Leveling Feet (23) into the pre-threaded holes.



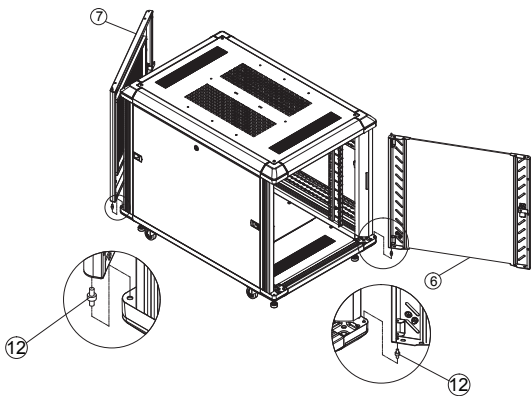
4. Turn the rack right-side up and install the Bottom Panels with Grommet (4) at the front and back of the rack, and the Solid Bottom Panel (5) in the middle. Secure using the M5-10mm Self-Tapping Screws (14).



5. Install the Top Panel (3) and secure using the M6-12mm Hex Screws (13).



6. Install the Front Door Assembly (6) and Rear Door Assembly (7) using the Door Hinge Pins (12).



Specifications

U Height	12U
Material	Steel
Rack Type	4-Post
Frame Type	Enclosed Cabinet
Color	Black
Max. Weight Capacity	1763.7lbs (800kg)
Minimum Mounting Depth	5.9in (150mm)
Maximum Mounting Depth	28.7in (730mm)
Dimensions (WxHxD)	23.62 x 26.1 x 35.43in (600 x 663 x 900mm)
Height with Casters	29.05in (738mm)
Weight	84.9lbs (38.5kg)

Technical Support

StarTech.com's lifetime technical support is an integral part of our commitment to provide industry-leading solutions. If you ever need help with your product, visit www.startech.com/support and access our comprehensive selection of online tools, documentation, and downloads.

For the latest drivers/software, please visit www.startech.com/downloads

Warranty Information

This product is backed by a lifetime warranty.

In addition, StarTech.com warrants its products against defects in materials and workmanship for the periods noted, following the initial date of purchase. During this period, the products may be returned for repair, or replacement with equivalent products at our discretion. The warranty covers parts and labor costs only. StarTech.com does not warrant its products from defects or damages arising from misuse, abuse, alteration, or normal wear and tear.

Limitation of Liability

In no event shall the liability of StarTech.com Ltd. and StarTech.com USA LLP (or their officers, directors, employees or agents) for any damages (whether direct or indirect, special, punitive, incidental, consequential, or otherwise), loss of profits, loss of business, or any pecuniary loss, arising out of or related to the use of the product exceed the actual price paid for the product. Some states do not allow the exclusion or limitation of incidental or consequential damages. If such laws apply, the limitations or exclusions contained in this statement may not apply to you.

Hard-to-find made easy. At StarTech.com, that isn't a slogan. It's a promise.

StarTech.com is your one-stop source for every connectivity part you need. From the latest technology to legacy products — and all the parts that bridge the old and new — we can help you find the parts that connect your solutions.

We make it easy to locate the parts, and we quickly deliver them wherever they need to go. Just talk to one of our tech advisors or visit our website. You'll be connected to the products you need in no time.

Visit www.startech.com for complete information on all StarTech.com products and to access exclusive resources and time-saving tools.

StarTech.com is an ISO 9001 Registered manufacturer of connectivity and technology parts. StarTech.com was founded in 1985 and has operations in the United States, Canada, the United Kingdom and Taiwan servicing a worldwide market.